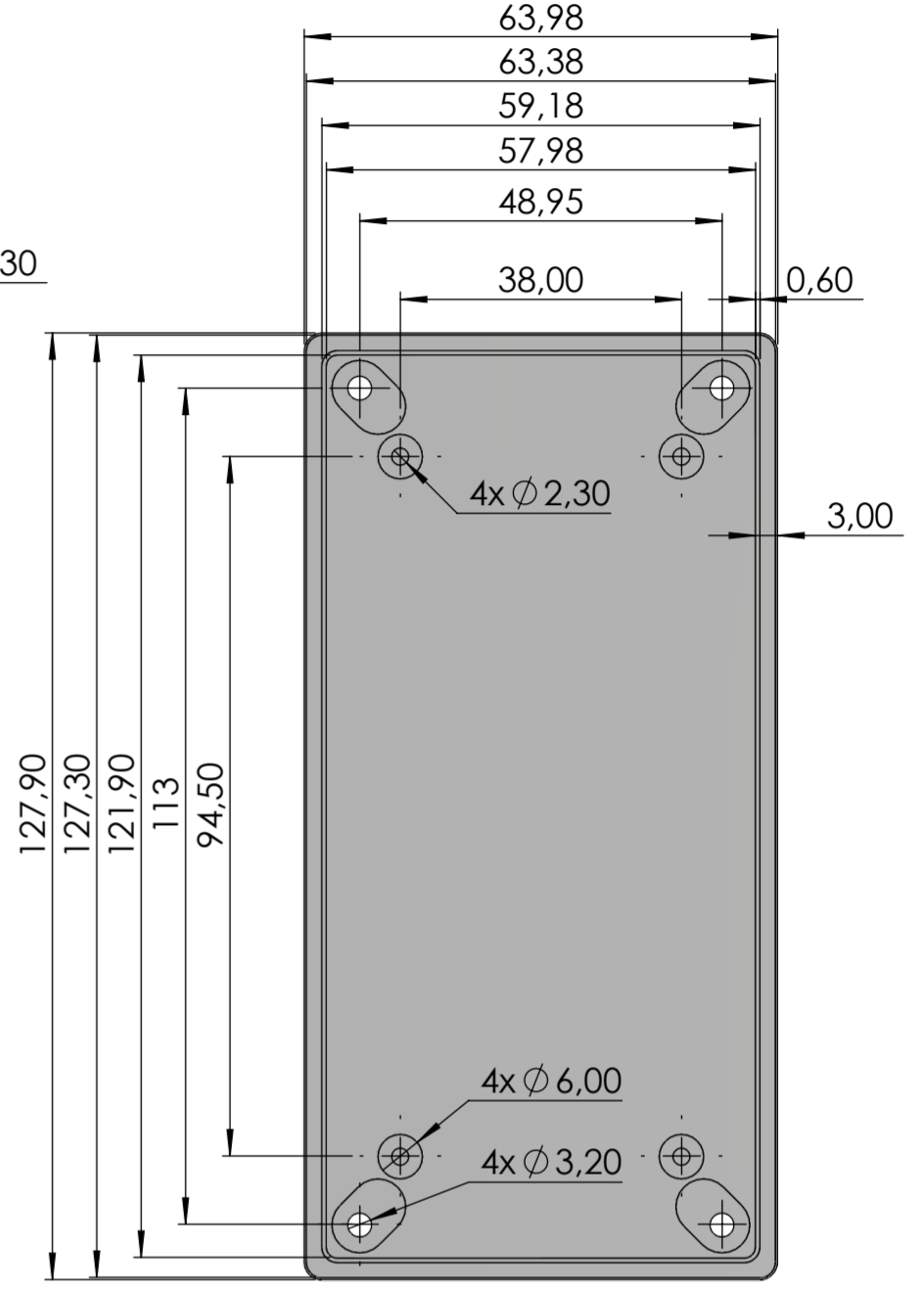
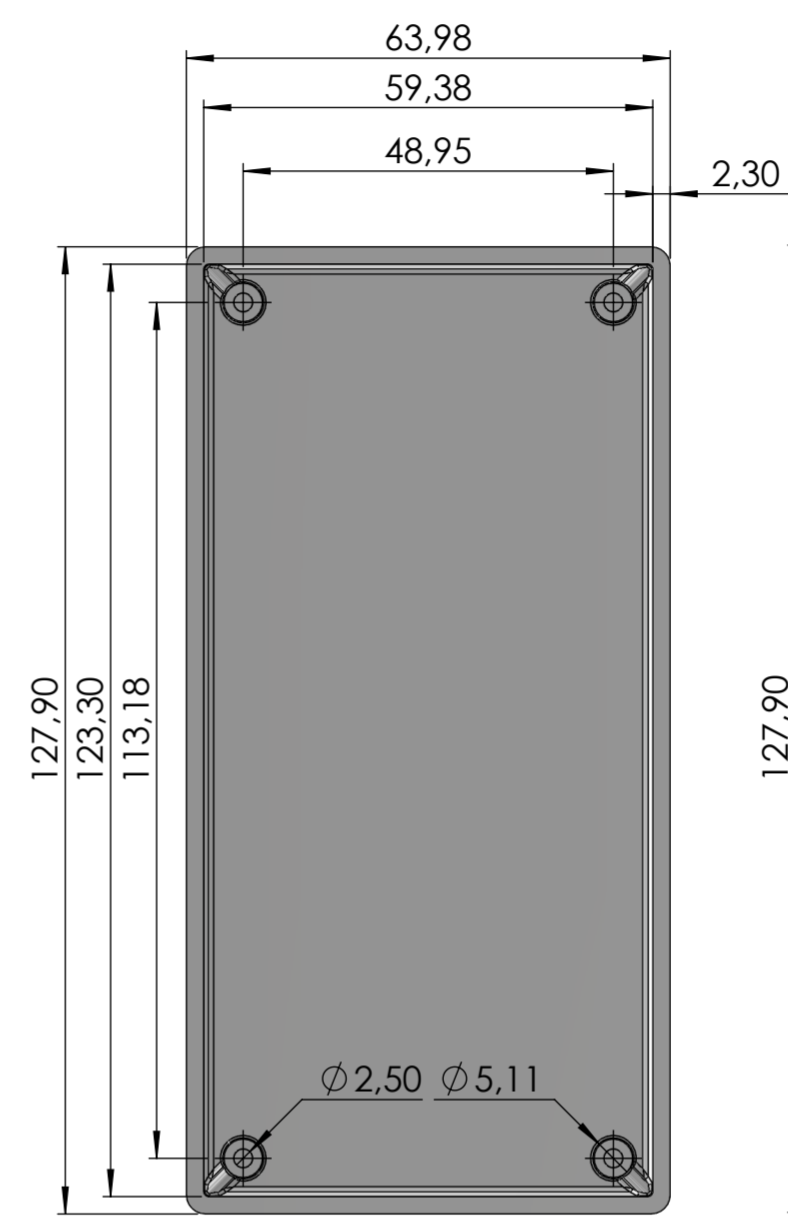
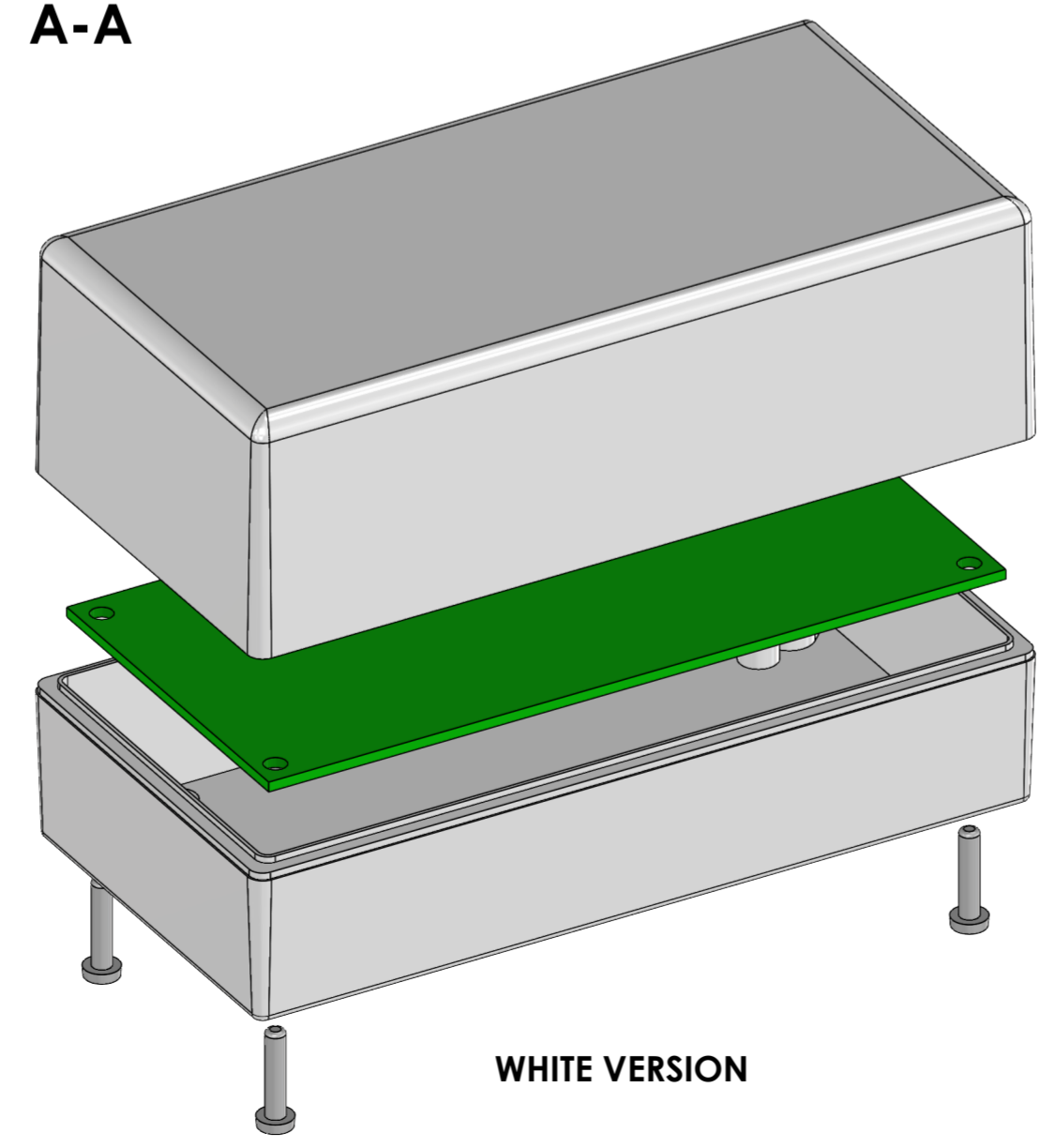
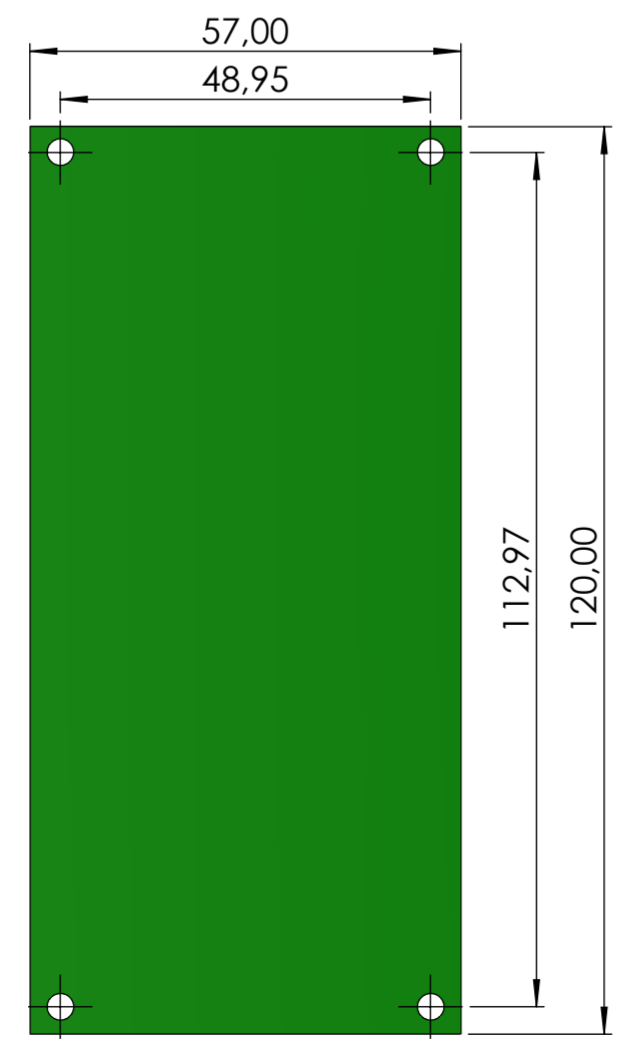


TOP INTERNAL VIEW

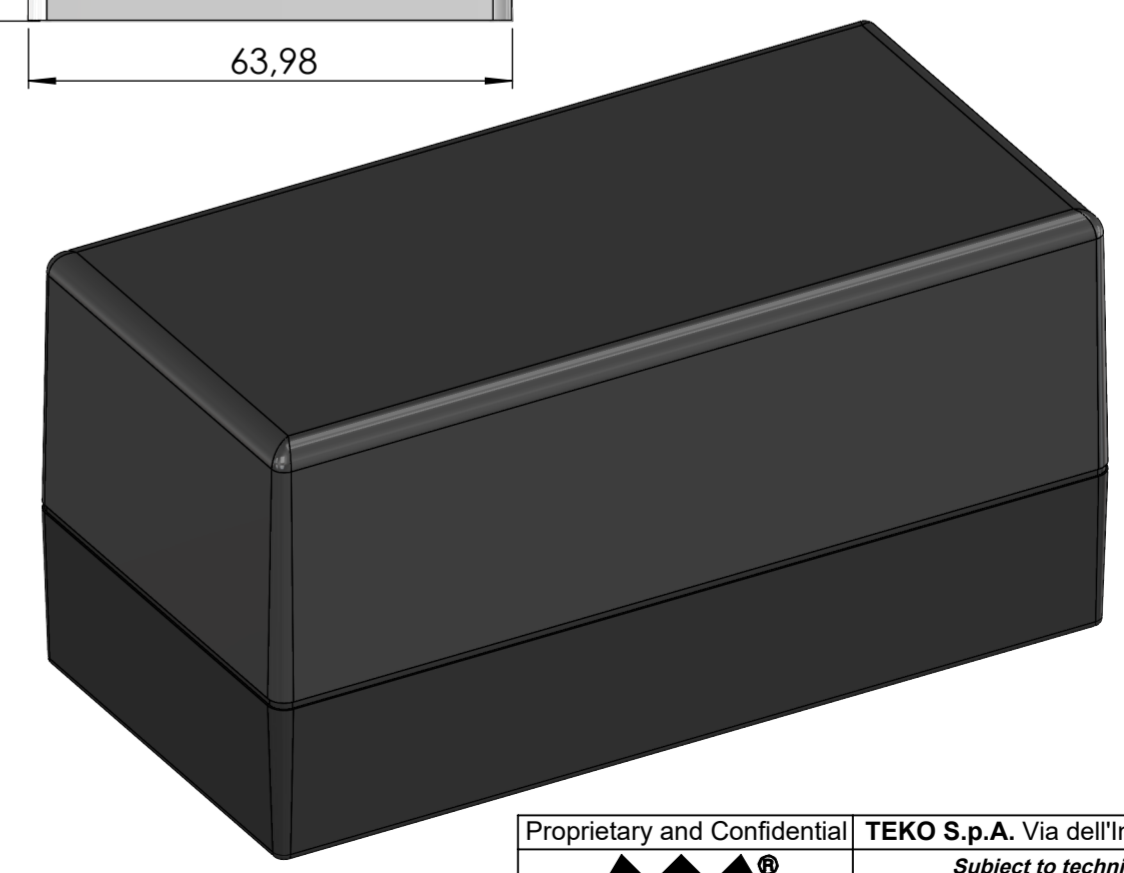
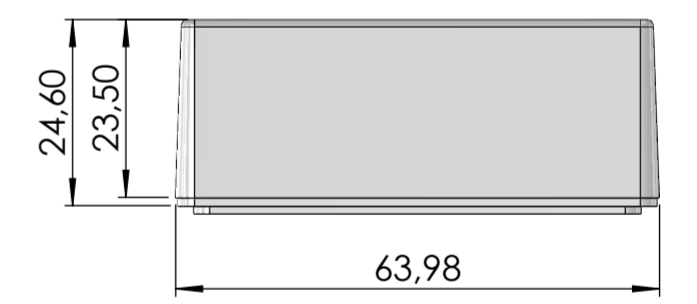
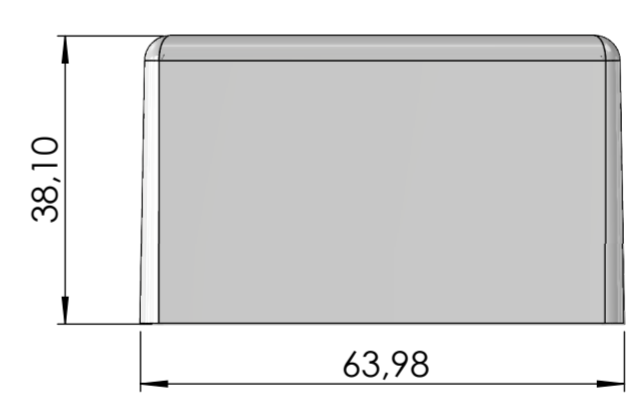
BOTTOM INTERNAL VIEW



PCB MAX SIZE



WHITE VERSION



BLACK VERSION